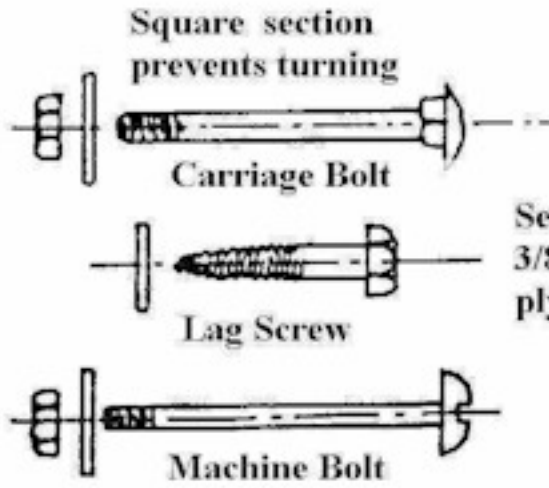


11" (max) dia wheels from lawnmower, wagon, tricycle, barbecue, etc. Wheels must be non-pneumatic

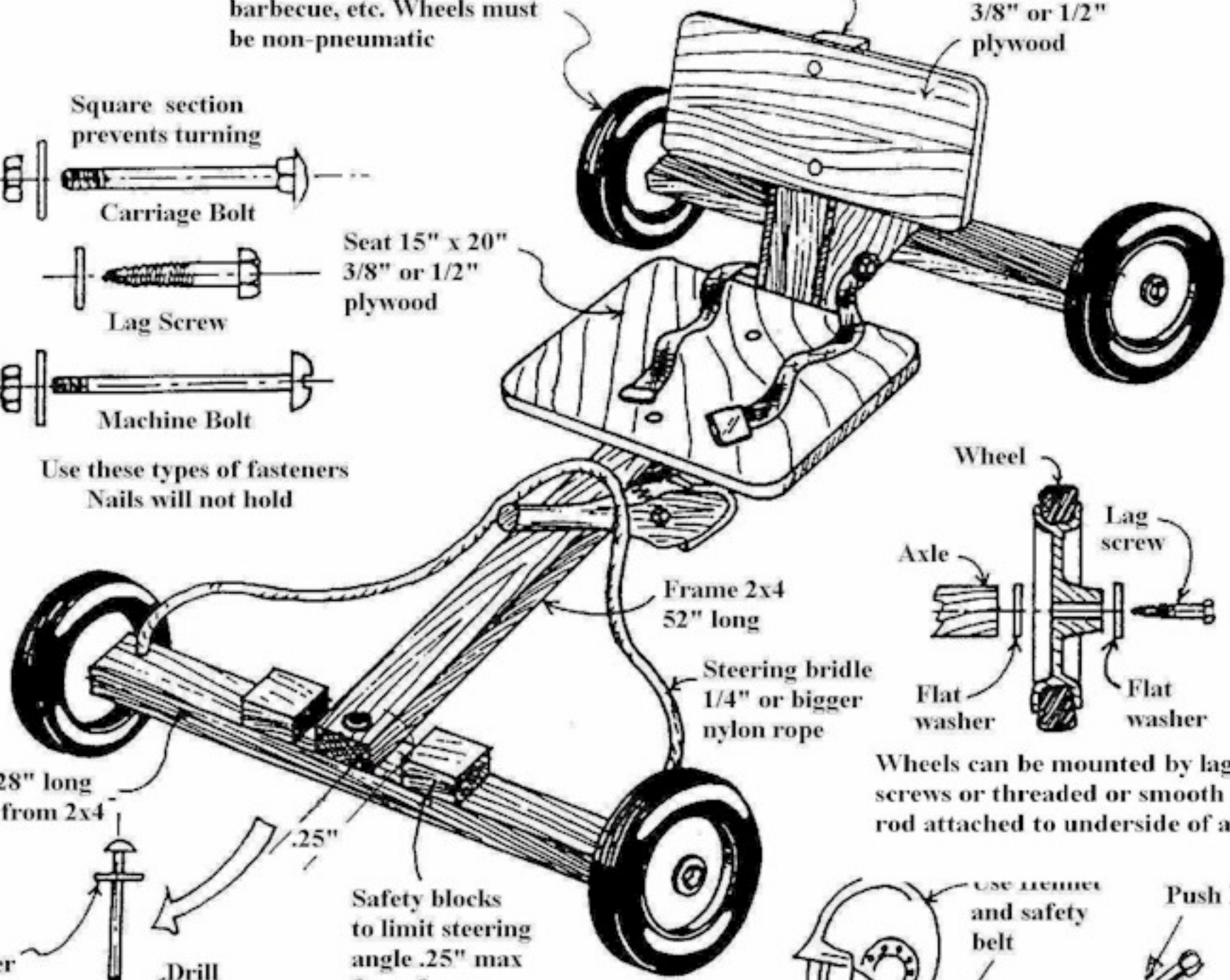
Post 2x4

Seat back
8 & 3/4" x 20"
3/8" or 1/2"
plywood



Seat 15" x 20"
3/8" or 1/2"
plywood

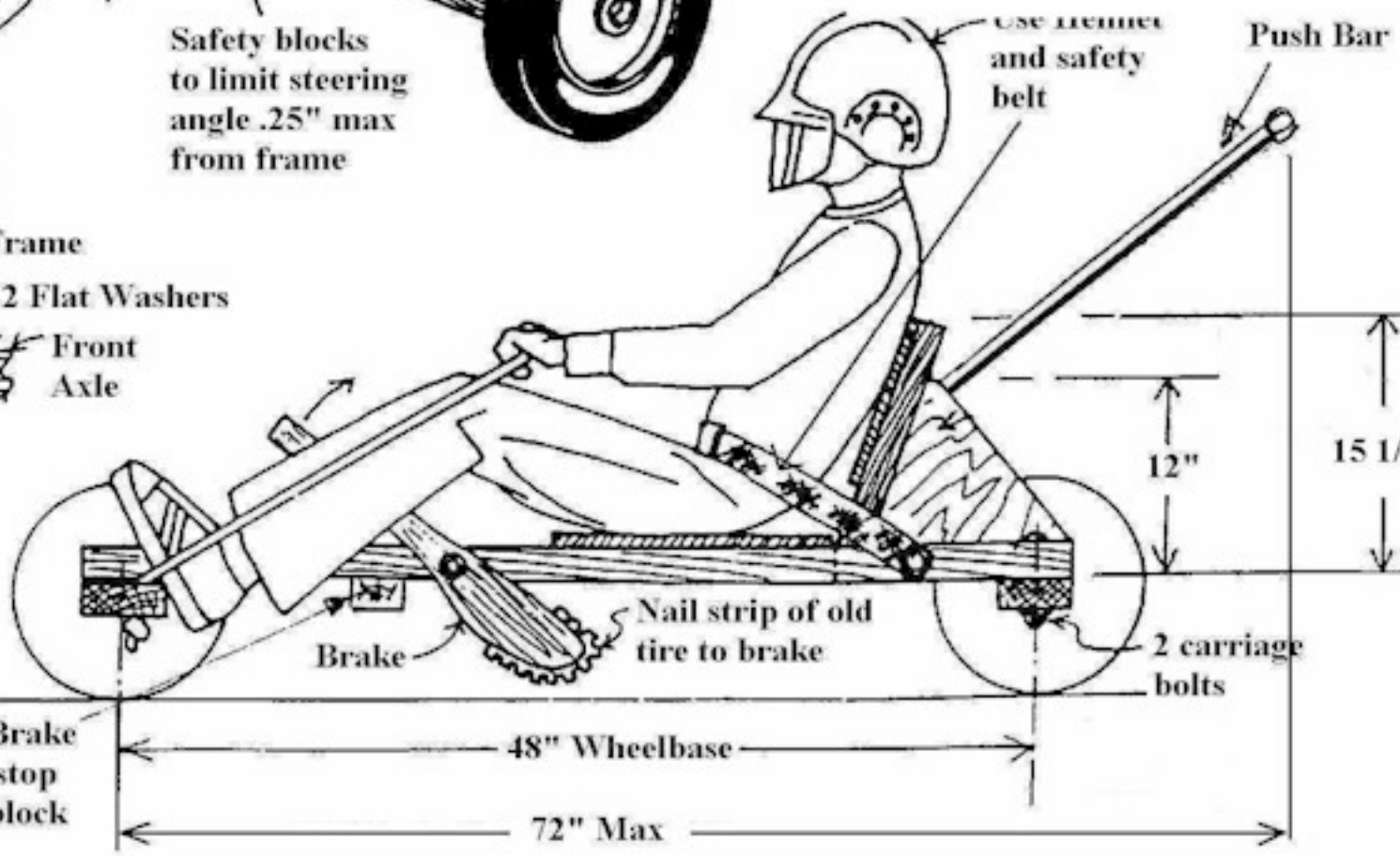
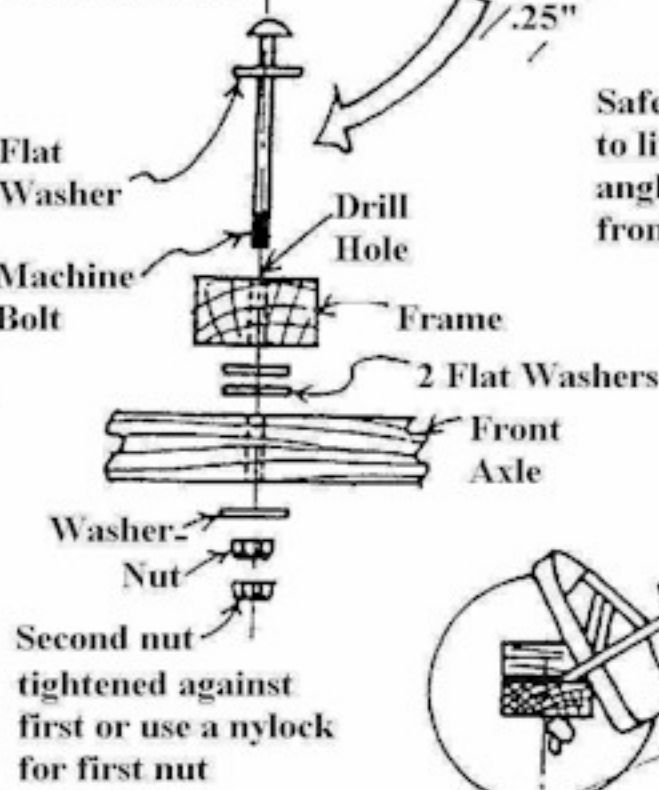
Use these types of fasteners
Nails will not hold



Wheels can be mounted by lag screws or threaded or smooth rod attached to underside of axle

axles 28" long
make from 2x4

Safety blocks
to limit steering
angle .25" max
from frame



Revision B
2/02